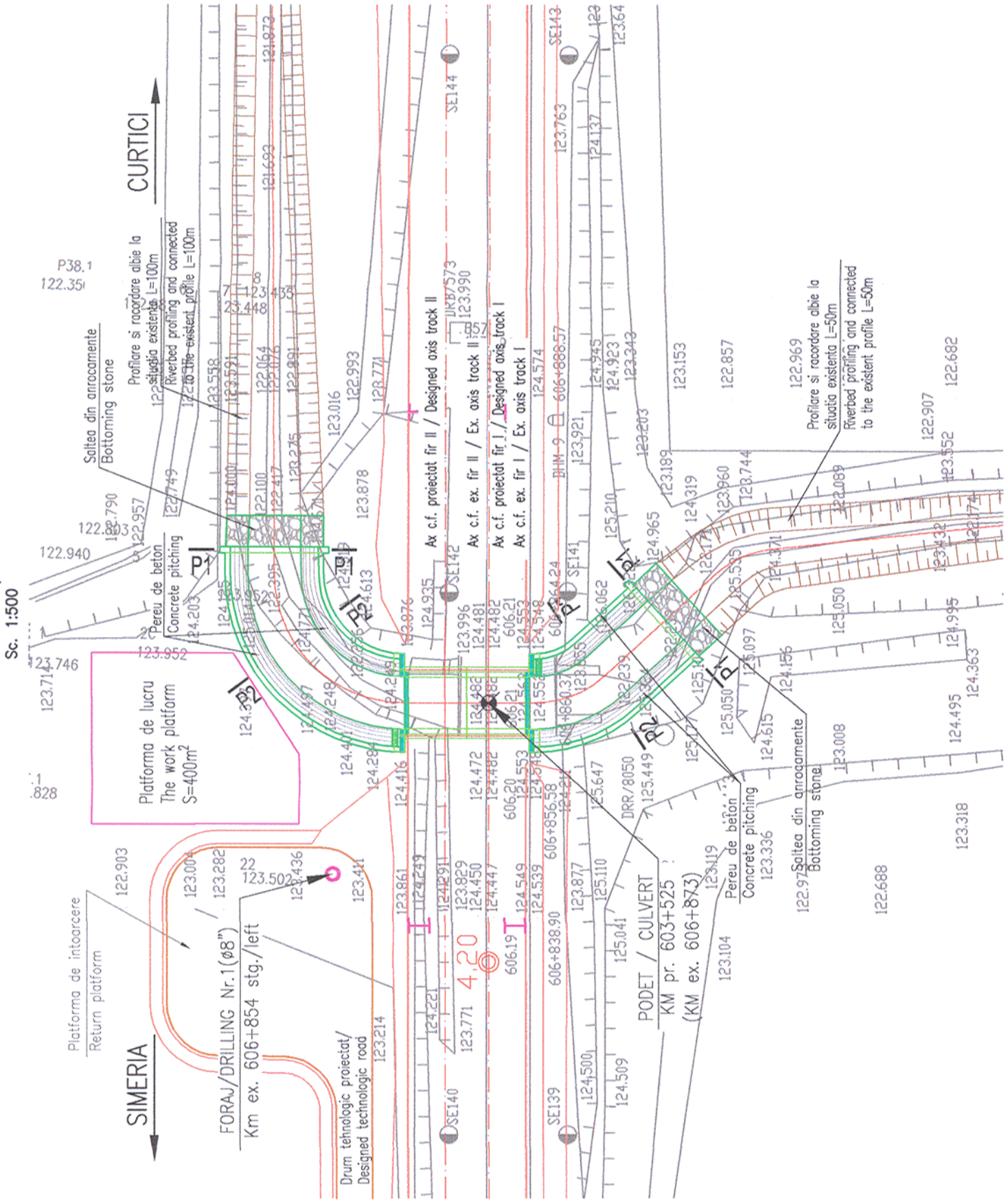
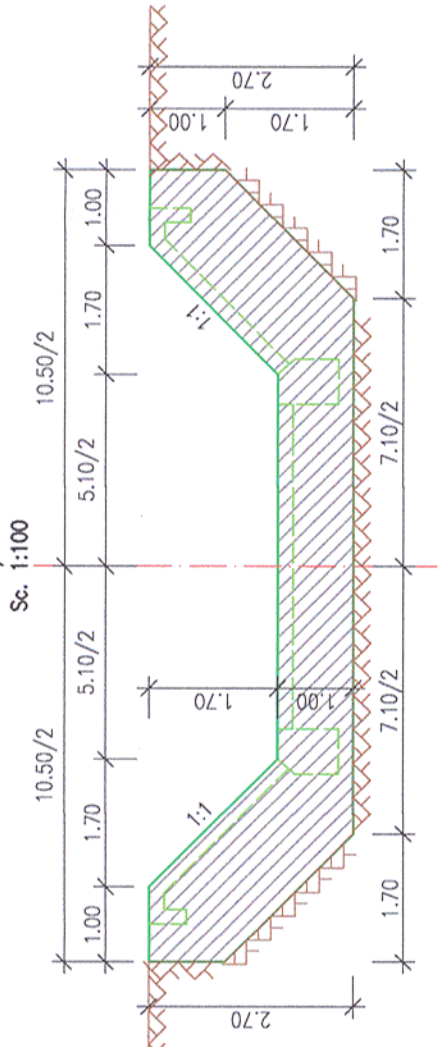


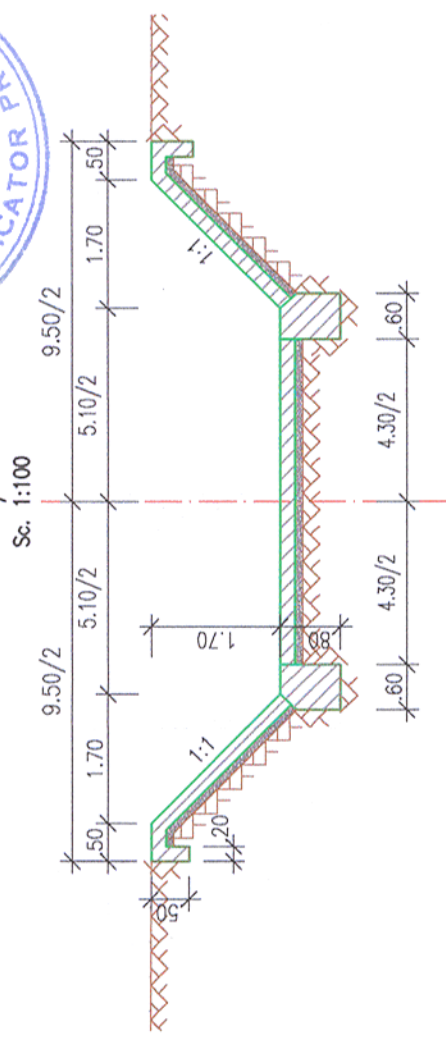
PLAN DE SITUATIE / SITE PLAN



SECTIUNE P1 / P1 SECTION

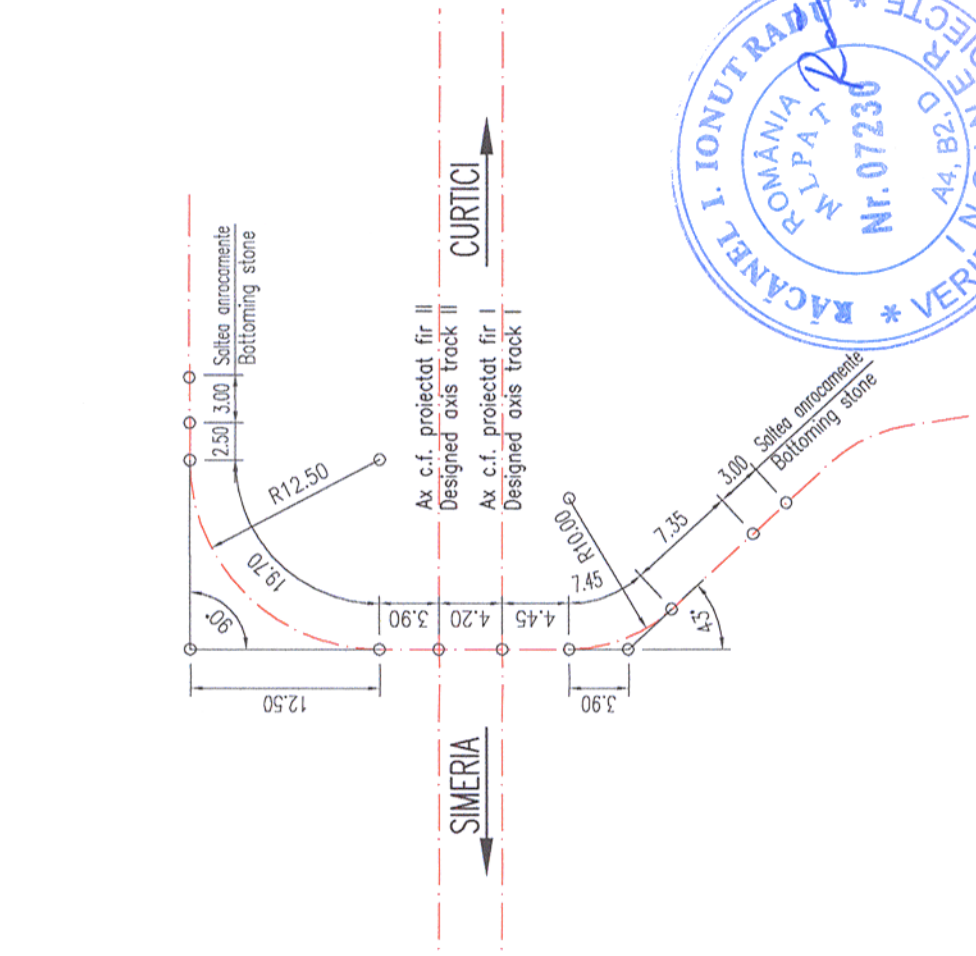


SECTIUNE P2 / P2 SECTION



PLAN TRASARE/ALIGNMENT PLAN

Sc. 1:500



Prezentul plan anuleaza si inlocuieste versiunea anterioara
This plan cancels and replaces previous version

Verificator / Expert Checker / Expert		Semnatura Signature	Referat / Expertiza Report / Expertise
European Investment Bank	MINISTERUL TRANSPORTURILOR		
	BENEFICIAR / BENEFICIARY : COMPANIA NATIONALA DE CAI FERATE "CFR" SA		
PROIECTANT / DESIGNER:			
Aprobat Approved	Sef de echipa Team leader	C. Teodorescu	Data Date 01.2013
Verificat Checked	Expert Cheie Key Expert	R. Tudorascu	01.2013
Subcontractant / Subcontractor		MIOTOP	
Aprobat Approved	Adjunct Sef de echipa Deputy Team leader	A.M. Baicu	01.2013
Proiectat Designed	Inginer Engineer	A. Negrei	01.2013
"Reabilitarea liniei c.f. Frontier a - Curtici - Simeria, parte componenta a coridorului IV Pan - European pentru circulatia trenurilor cu viteza maxima de 160 km/h"		Project 9i 35311.1	
"Rehabilitation of the Railway Line Border - Curtici - Simeria, component Part of the IV Pan - European Corridor for the Trains Circulation with maximum speed of 160 km/h"		Faza / Phase: PTH+CS / TD+TS	
Denumire desen / Drawing name: PLAN DE SITUATIE / SITE PLAN PODET / CULVERT KM pr. 603+525 (KM ex. 606+873)			
Scara / Scale 1:500 ; 1:100	Revizia / Revision 1 / 04.2013	Cod desen / Drawing Code PT.02.02.03.PO.04.02	Nr / No 02